

# TM-561

Table Measure

**Easy**  
**Accurate**  
**Skill-Independent**

Item Registration  
Storage Control  
Picking Check  
Shipping Preparation



JQA-2834  
TSUKUBA



TECO  
ISO 14001:2004  
ER-00130

Just place the objects at the right position, and you get the right measurements.



### Easy

Place & Scan only.

### Accurate

Precise measurements guaranteed with most reliable "On/off Light Scale".

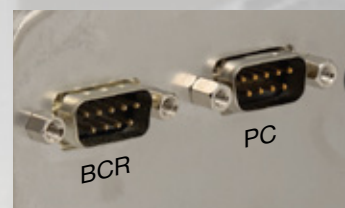


As the edge caught exactly, the dimension taught correctly.



### Stainless Body

### Data Interfaces



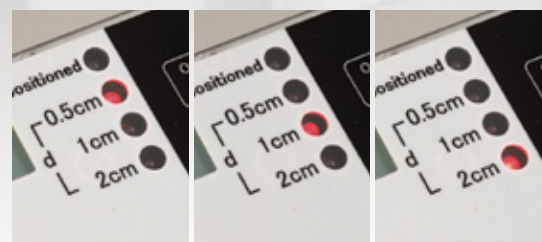
### Skill-Independent



Independent on human skill.

Behind is "Corner Checker", guiding operators to errorless results.

### Selectable dimensional resolutions

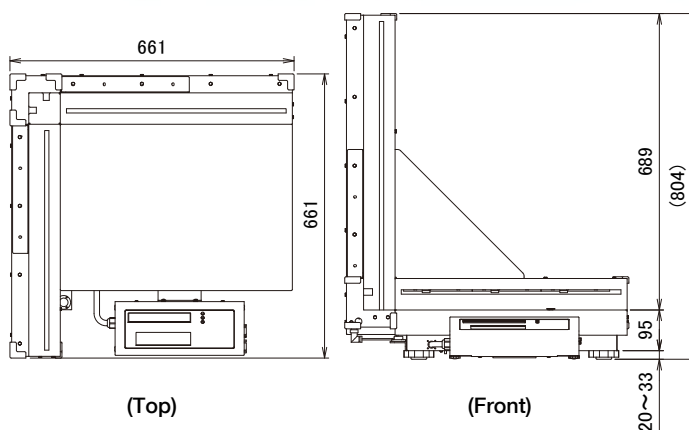


### Specifications

Model	TM-561
Max Dimensional Capacity	L:56.5cm W:56.5cm (+16cm*) H:63.5cm (+32cm*)
Dimensional Resolution	0.5cm/1cm/2cm
Weight Capacity	50kg
Weight Resolution	0.05kg/0.01kg
Interfaces	Output PC port, BCR Input port
Power Supply	100 to 230 V AC 50/60 Hz
Operating Temperature	0°C to +40°C, non-cendensing

\*Expandable as option

### Dimensions



Unit 509, 5/F, Tower II, Cheung Sha Wan Plaza,  
833 Cheung Sha Wan Road, Kowloon, Hong Kong  
Tel: (852) 2784 2868/ (852) 2788 3066 Fax: (852) 2319 2967  
Email: sales@milliontech.com  
Website: www.milliontech.com

*We Create [Value]<sup>2</sup>*