

# DENSO

FIXED TYPE SCANNER

# NEW > QK30 SERIES

## Scans smartphone displays! Mobile QR code/barcode scanner



2D code model  
Stationary type QK30-U  
Built-in type QK31-U  
Built-in type QK31-R



**Enables a wide range of applications, from connection to point-of-sale terminals to incorporation in multi-media terminals and entrance gates.**

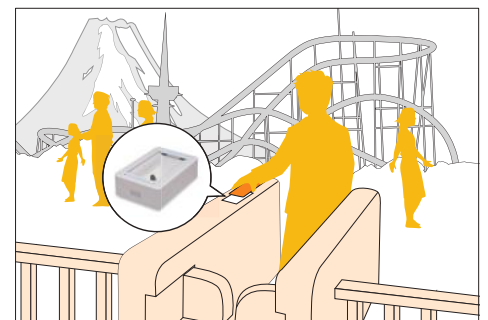
Contributes to effectively attracting customers and promoting sales using mobile coupons, mobile membership cards and mobile tickets.



Mobile coupon



Mobile membership card



Mobile ticket

## Feature 1

Perfect fit for scanning mobile QR codes and bar codes

Enables high-speed scanning of QR codes displayed on LCD screens. Excellent scanning performance for codes printed on paper, too.

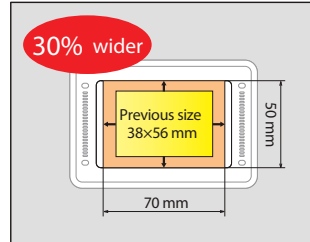


\* If protective film is affixed to the LCD screen, code scanning performance may be affected.

## Feature 2

Can scan codes displayed on large-screen smartphones

30% increase in scanning area from the previous model enables easier scanning.

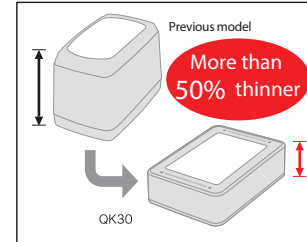


\* When scanning codes displayed on an LCD screen

## Feature 3

Compact design

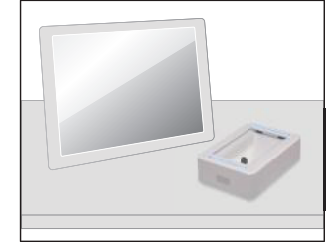
More than 50% thickness reduction compared to the previous model further enhances mountability.



## Feature 4

Stylish design

Sophisticated design suitable for use with smart devices.



## QK30 series specifications

Type		Stationary type		Built-in type		
Model		QK30-U		QK31-U      QK31-R		
Scanner	Readable codes	2D code	QR code, micro QR code, SQRC, iQRcode, PDF417, microPDF, DataMatrix, Aztec, GS1 DataBar Composite (EAN.UCC Composite), MaxiCode			
		Barcode	EAN-13/-8 (JAN-13/-8), UPC-A/-E, UPCA/EAN (with add-on), Interleaved 2 of 5 (ITF), Standard 2 of 5 (STF), CODABAR (NW-7), CODE39, CODE93, CODE128, GS1-128 (EAN-128), GS1 DataBar (RSS)			
	Minimum resolution	2D code	0.25 mm			
		Barcode	0.18 mm			
	Scanning area	70 mm x 50 mm				
Focusing point	7 mm *1					
Scan confirmation	LED in three colors: Blue/Red/Green, speaker			—		
Communication interface	Method	USB 1.1-compliant (COM, HID) *2			RS-232C	
	Connector	USB connector: type A (with an integrated cable)	USB connector: type B (with a detachable cable)	Mini-DIN connector (with a detachable cable)		
	Cable length	1.5 m	1.4 m (Sold separately)	1.5 m (Sold separately)		
Power	Power	Supply from host device *3				
Environment requirements	Security level	IPX2			—	
	Operating temperature	-5~50°C			—	
	Operating humidity	10-90% RH (non-condensing/non-freezing)				
Weight	250 g (incl. cable weight)		170 g (excl. cable weight)			

\*1: Height from dust-proof plate

\*2: Two systems are supported: USB keyboard interface and USB-COM interface. When using in USB-COM interface mode, please download the USB driver from the DENSO WAVE website (free of charge).

\*3: Please check the connection beforehand because this type of connection may not be possible depending on the model of the PC or USB hub.

## Product configuration

### Accessories

- Scanner
- Operation Guide
- Instruction manual [PDF](#)

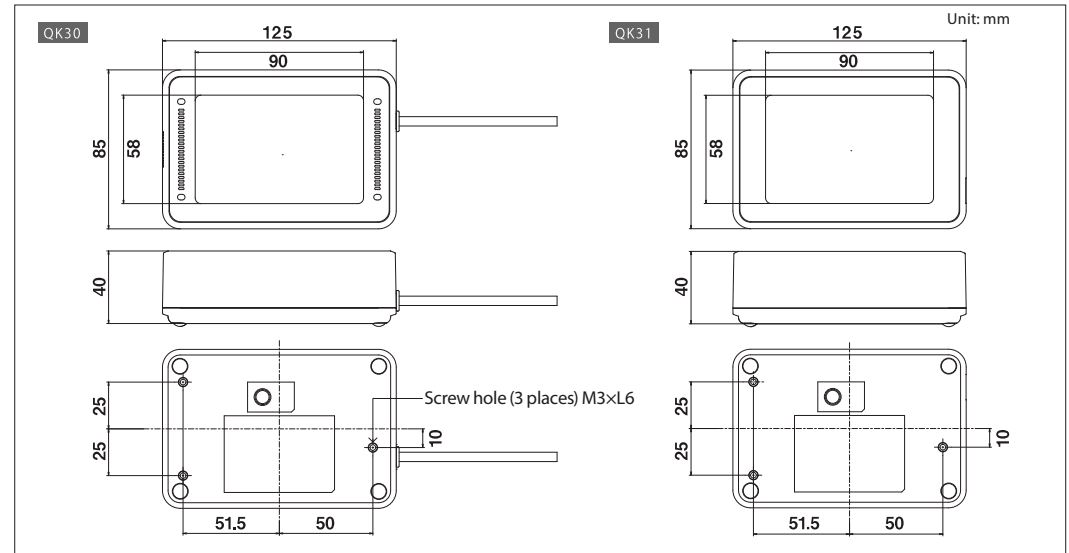
### Software

- Driver [PDF](#)  
(Active USB-COM port driver)
- Setting Software  
(Scanner Setting 2D) [PDF](#)

### Option

- USB cable for QK31-U (1.4 m)
  - RS-232C cable for QK31-R (1.5 m)
- [PDF](#) Items with this mark are available from the company's homepage (QBdirect) free of charge.

## Dimensions



To use this product safely

● Before using this product, please read its User's Manual thoroughly for correct use.

For more information, please visit our website

<http://www.denso-wave.com/en/adcd/>



Contact Us: If you have further enquiries, please contact us for more information & discussion.

● Appearance and specifications are subject to change without prior notice. ● Description stated in this catalogue is as of March, 2014.